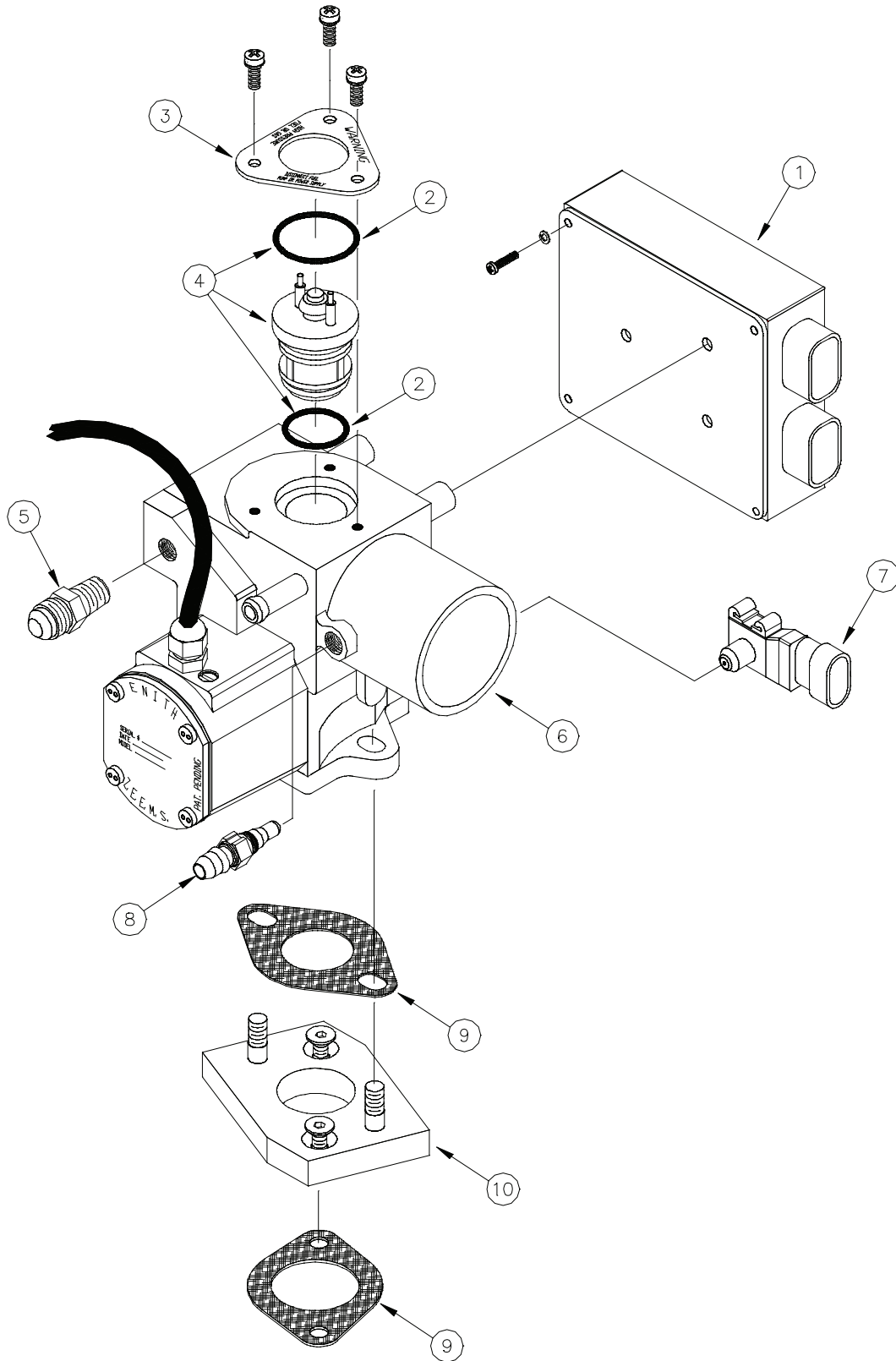


9X Nissan CG13 Tier II LPG Fuel System



9X Nissan CG13 Tier II LPG Fuel System

Item	Part no.	Qty.	Description
1	3334327	1	ECU-ZENITH CG13 LPG COMPLIANT, ARMA
2	3336577	1	ORING KIT-LPG INJECTOR, NISSAN CG13
3	3336566	1	INJECTOR-MOUNTING PLATE & SCREWS
4	3336576	1	INJECTOR-LP GAS W/2 O-RINGS
5	3336578	1	FTG-LPG THROTTLE BODY FUEL INLET
6	3334392	1	ASSY-THROTTLE BODY W/O ECU NISSAN CG13 LPG COMPLIANT
7	3334854	1	SENSOR-MAP, CG13 TIER II, LPG/GAS
8	3336568	1	SENSOR-CG13-AIR TEMPERATURE, NISSAN
9	3336562	1	GASKET KIT-CG13 THROTTLE BODY, NISSAN
10	3336561	1	MANIFOLD ADAPTER KIT, NISSAN CG13 (INCLUDES 9 +HARDWARE)
-	3333699	1	FUEL SYSTEM ZENITH 9XLP NISSAN CG13 (INCLUDES PARTS 1 -8)